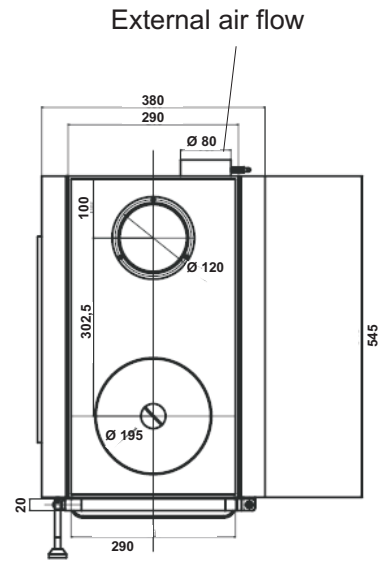
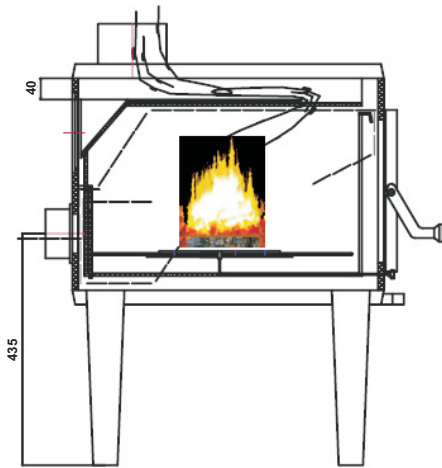
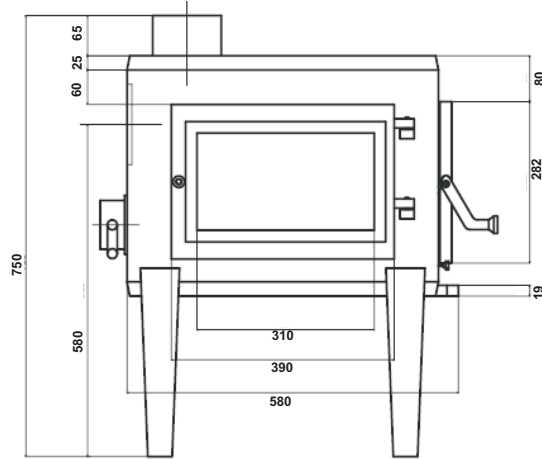
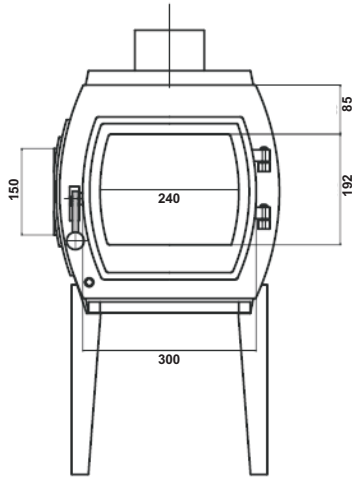


Charon II

Drawings and Measurements



Extra Details / Technical Information

Measurements in mm HxWxD		Fire place mm HxWxD	Fire opening in mm HxW	Stove Window HxW	Stove Window HxW	Fleuheight pipe	Capacity cbm	Tested according:	Ber.13% O2 Dust in mg	Ber.13% O2 Co-Certificate emission		
700x380x550		240x320x460	60x260	180x230	160x310	700	180	13240	35	875		
Colour	Inside of fire place	Fuel	Continuing time burning	Fire rotation grip	Ash pan	External air flow	Ö norm	Design	Primary and Secondary air	prim/sec aircontroller	According to BimschV. 1 + 2	Clean air Switzerland
Black	Cast Iron	Wood/coal	Time burning	yes	yes	yes	yes	A1	yes	yes	yes	yes